

# TABBED PAGE

<b>Index</b>	<b>Page</b>
Annealed Glass .....	1
Clips .....	3
Insulated .....	2
J-Channel.....	3
Laminated .....	1
Lite Kits .....	4
Mirror.....	3
Tempered.....	1
Wire .....	1

# GLASS

## TEMPERED GLASS

Thickness	Color
1/8" - 3/16" - 1/4"	Clear, Bronze, Grey

## ANNEALED GLASS

Thickness	Dimension
3/32"	48x60
1/8"	48x60
1/4"	48x130

Can be cut to size

## LAMINATED GLASS

Thickness	Dimension	Color
1/4"	40 x 80	Clear
1/4"	48 x 84	Clear
1/4"	48 x 96	Clear

Thickness	Dimension	Color
1/4"	34 x 80	Bronze & Gray
1/4"	48 x 96	Bronze & Gray

Can be cut to size

## WIRE GLASS

Thickness	Dimension	Color	Description
1/4"	78x130	Misco	Diamond Pattern
1/4"	78x130	Baroque	Square Pattern

Can be cut to size

For additional hardware click here <http://www.windowanddoorhardware.com>

# INSULATED GLASS

## ANNEALED GLASS

Thickness	Color	Max sq. ft
3/32"	Clear	10
1/8"	Clear, Bronze, Grey, Low "E"	16
3/16"	Clear, Bronze, Grey, Low "E"	35
1/4"	Clear, Bronze, Grey, Low "E"	40

## TEMPERED

Thickness	Color	Max. sq ft
1/8"	Clear, Bronze, Grey, Low "E"	20
3/16"	Clear, Bronze, Grey, Low "E"	35
1/4"	Clear, Bronze, Grey, Low "E"	50

## INTERNAL GRIDS

Thickness	Color
5/8"	Tan, Sandstone
5/8"	White, Lite Woodgrain
5/8"	Bronze, Dark Woodgrain
5/8"	Champagne, Woodgrain, White
3/4"	White Only

## STANDARD PATIO DOOR GLASS SIZES

Thickness	Dimension
5/8" & 1" OA	28x76
5/8" OA	34x68
5/8" & 1" OA	34x76
5/8" OA	46x68
5/8 & 1" OA	46x76

For additional hardware click here <http://www.windowanddoorhardware.com>

# CLEAR MIRROR

## 1/8" WITH CAT. 2 SAFETY BACKING

Dimension
24 1/2" x 93 3/8"
30 1/2" x 93 3/8"
36 1/2" x 93 3/8"
48 1/2" x 93 3/8"

Can be cut to size

## 1/4"

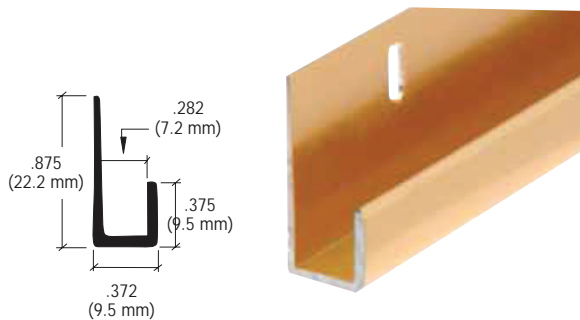
Dimension
42" x 100"
48" x 100"

## MIRROR RELATED PRODUCTS

### Standard Aluminum 1/4" J-Channel

• 12' (3.66 m) Stock Lengths

Standard J-Channels are individually polywrapped to prevent scratching, plus the back leg is punched and slotted for easier installation. Standard J-Channel is normally used on the bottom in mirror installations

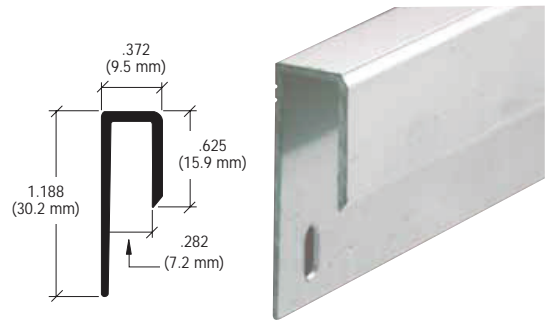


Part #	Color
D636BA	Chrome
D636BGA	Brass
D636BN	Brush Nickel
Custom sizes available. Other colors to choose from	

### Deep Nose Aluminum 1/4" J-Channel

• 12' (3.66 m) Stock Lengths

Deep Nose J-Channels are individually polywrapped to prevent scratching, plus the back leg is punched and slotted for easier installation. Deep Nose J-Channel is normally used on the top in mirror installations.



Part #	Color
D645BA	Chrome
D645BGA	Brass
D645BN	Brush Nickel
Custom sizes available. Other colors to choose from	

### Mirror Clips



A beautifully finished heavy gauge steel clip made expressly to support and hold 1/4" mirrors. The nose is 1-3/16" wide with a sponge backing that helps secure the mirror softly but firmly in place. Each set consists of four 6 x 1 FH screws complete with installation instructions.

Part #	Finish	Contents	Qty
361501	Bright Chrome	4 Clamp/Screws	One Set

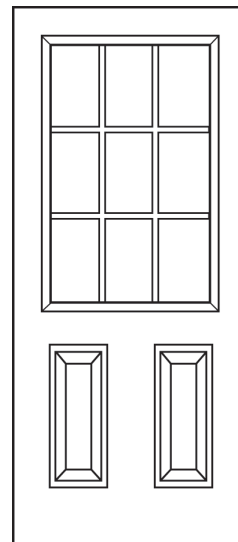
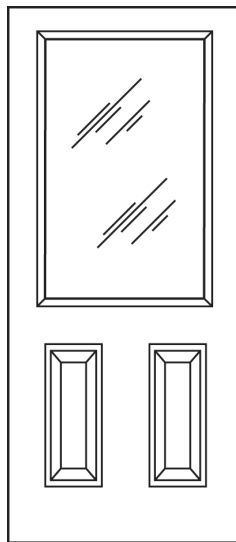
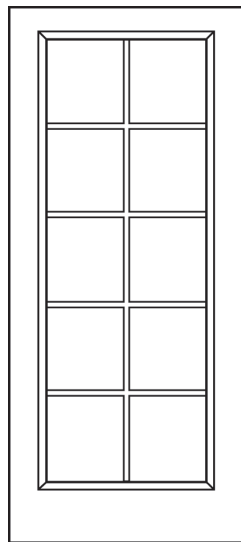
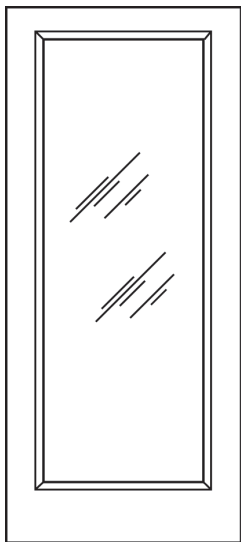
**Need Help?**  
Ask your sales representative to come visit you

For additional hardware click here <http://www.windowanddoorhardware.com>

# LITE KITS WITH PLASTIC SURROUNDS

Part #	Size	Grids	# of lites	Description (Centurion Frame)
135-010	N/A	N/A	1	1/2 Moon Clear Lite
137-010	22x10	N/A	1	Camber Clear
228-010	22x10	N/A	1	Clear
129-010	8x36	N/A	1	Clear
108-010	15-1/16x15-1/16	N/A	1	Clear (1/2")
680-010	8x6	N/A	1	Clear (1/2")
106-010	22x36	N/A	1	Clear
135-05IW	N/A	White	5	1/2 Moon
106-09IW	22x36	White	9	Clear
106-09PW	22x36	White Prairie	9	Clear
129-03IW	8x36	White	3	Clear
129-06PW	8x36	White Prairie	6	Clear
404-12IW	22x48	White	12	Clear
122-15IW	22x64	White	15	Clear
122-010LE	22x64	N/A	1	Clear Low-E
152-010LE	7x64	N/A	1	Clear Low-E
404-010LE	22x48	N/A </tr		

*WIG = White Internal Grid, PWIG = Prairie White External Grid*



**Need Help?**  
Ask your sales representative to come visit you

**For commercial steel lite kits go to page 4 of the Fire Door section**

For additional hardware click here <http://www.windowanddoorhardware.com>

# TABBED PAGE



# TABBED PAGE

<b>Index</b>	<b>Page</b>
Crossbar .....	2
Frame .....	2, 3
Patio Screen Doors .....	4

# SCREENS



Date \_\_\_\_\_ Customer P.O. \_\_\_\_\_

Name \_\_\_\_\_

Address \_\_\_\_\_

City, State, Zip \_\_\_\_\_

Phone # \_\_\_\_\_

Location: Bldg. # \_\_\_\_\_ Apt. # \_\_\_\_\_

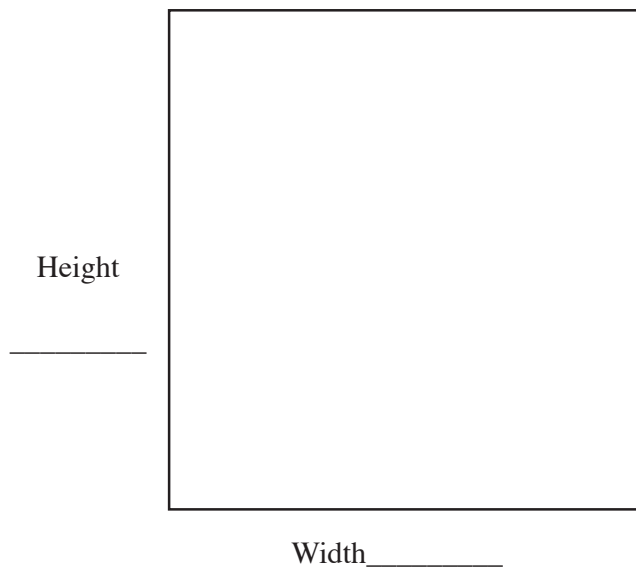
Contact Person \_\_\_\_\_

Installed

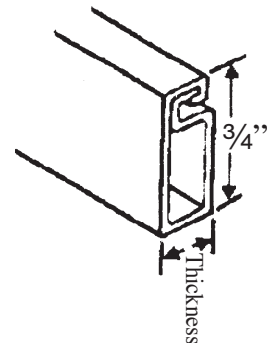
Delivered

Will Call

Quantity \_\_\_\_\_



Empire Standard  
Frame Profile



Other extrusions will  
require a sample

Window Screen / Patio screen door (circle one)

Frame Size (thickness) 1/4" - 5/16" - 3/8" - 7/16" (circle one)

Color: White - Bronze - Mill - Tan (circle one)

Screen Mesh Color: Charcoal - Gray (circle one)

Screen Mesh Type: Wire - Fiberglass (circle one)

### OPTIONS:

circle options and  
indicate exact locations

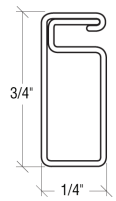

- Tabs 
- Pull Plungers 
- Knife Latches 
- Springs 
- Wing Clips 
- Center Mull

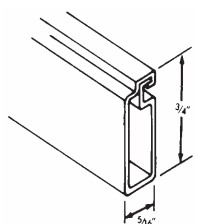

**TO ORDER: FAX THIS PAGE TO: 612-729-4216**

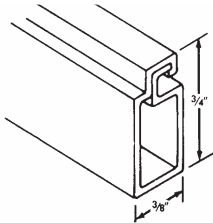



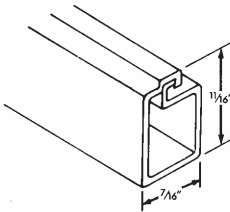



# SCREEN FRAMES

Part #	Size	
WSF344	1/4" x 3/4" x 8' or 4'6"	
<b>Available Colors</b>		
Bronze, Mill, White		 <div style="border: 1px solid black; padding: 2px; width: fit-content; margin: 0 auto;">WSC 104 External Corner</div>

Part #	Size	
V-11	5/16" x 3/4" x 12'6"	
<b>Available Colors</b>		
Bronze, Desert Sand, Mill, White		 <div style="border: 1px solid black; padding: 2px; width: fit-content; margin: 0 auto;">20000 External Corner</div>

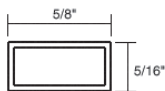
Part #	Size	
V-88	3/8 x 3/4" x 12'6"	
<b>Available Colors</b>		
Bronze, Desert Sand, Mill, White		 <div style="border: 1px solid black; padding: 2px; width: fit-content; margin: 0 auto;">20000 External Corner</div>

Part #	Size	
V-15	7/16" x 11/16" x 12'6"	
<b>Available Colors</b>		
Bronze, Desert Sand, Mill, White		 <div style="border: 1px solid black; padding: 2px; width: fit-content; margin: 0 auto;">20000 External Corner</div>

## 5/8" x 5/16" Roll Formed Aluminum Spreader

**Part #**  
WSSB58

- Prevents Screen Frame From Bowing In
- Easy To Install
- Available in Bronze, Mill, White

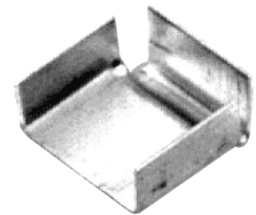


5/8" x 5/16" Roll Formed Aluminum Spreader Bar is made of .025 mil (.64 millimeter) thickness roll formed aluminum. Adds rigidity and strength to large size screens. Almost always installed across the mid-point of the screen's longest side. Installs with our Catalog Number WSC112 Spreader Bar Clips.

## Roll Formed Aluminum Spreader Bar Clips

- For Attaching Spreader Bar to Screen Frame

**Part #**  
WSC112



Spreader Bar Clips are .020 mill thick stamped aluminum. These special clips are used to install the spreader bar across the midpoint of the screen's longest side.

Custom Screens Available. See page 1 for measuring guide.

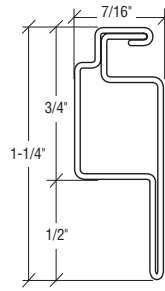
For additional hardware click here <http://www.windowanddoorhardware.com>

# SCREEN FRAMES

## 1/2" Roll Formed Aluminum Lip Screen Frame



WSC111  
Mitered Corners

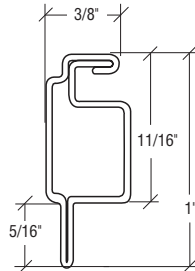


Part #	Finish	Stock Length
WSFLIGRY	Gray	8' or 4' 2"
WSFLIPBRZ	Bronze	8' or 4' 2"
WSFLIPW	White	8' or 4' 2"

## 7/16" Roll Formed Aluminum Lip Screen Frame



WSC115  
Mitered Corners



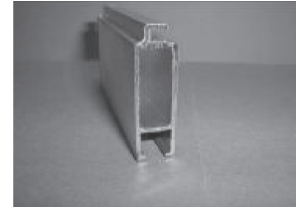
Part #	Finish	Stock Length
WSFL5BRZ	Bronze	8' or 4' 2"
WSFL5W	White	8' or 4' 2"

# PATIO SCREEN DOORS

## Assembled Standard Duty Extruded Aluminum Frame



Part #	Description
Standard Duty	1/2 x 5/8 Extruded Patio Screen Frame with Steel or Nylon Rollers. Available in Bronze, Mill, Almond and White.



Part #	Description
PDC-104	Patio Screen Door Handle Assembly



## KD Patio Screen Door Kits

Part #	Description
<b>KD Patio Screen Door Kits</b>	Available in Bronze, Mill, and White. Kit includes 4 steel rollers, handle set & bug flap. Spline & screen, sold seperately.

Specify width. Heights can be cut to size or sent long for on site trimming.

# TABBED PAGE

# TABBED PAGE

<b>Index</b>	<b>Page</b>
Balances .....	3, 4
Corners .....	2
Crimping Tool .....	2
Storm Sash .....	2, 1
Storm Windows .....	1
Windows .....	1

# WINDOWS

## VINYL AND ALUMINUM



Awnings



Casements



Double Hung & Single Hung

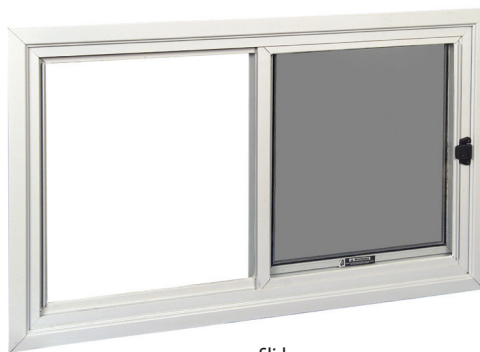


Sliders

## ALUMINUM STORM WINDOWS

### Aluminum Storm Windows

Available in mill, white, brown and almond.



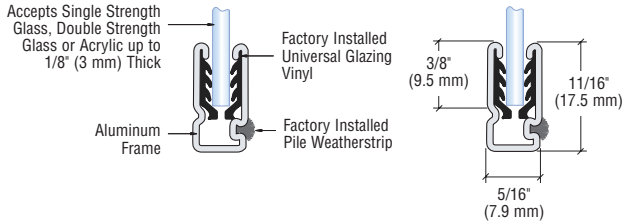
Sliders



Hung

## Universal C-Sash

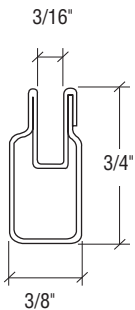
- The Most Popular Retrofit Storm Window System
- Better Than Magnetics, Sturdier Than Vinyl
- Available in Three Popular Finishes:  
Mill, White, and Bronze
- 12' 2" lengths or made to size



Part #	Length	Finish
CS12	12' 2" (3.7 m)	Mill
CS12 W	12' 2" (3.7 m)	White
CS12 BR	12' 2" (3.7 m)	Bronze

## 3/8" Window Frame

3/8" (9.5 mm) Window Frame is used to construct new storm windows with single or double strength glass. Frame may be mitered or square cut using Aluminum or Plastic Corners.



Part #	Length	Finish
UT108M	12'	Mill
UT108W	12'	White
UT108B	12"	Bronze





## TILT CHANNEL BALANCES

If a window can be tilted in for cleaning and does not have a top and bottom guide attached like our 60-series, you will need one of the balances designated below.

**62 Series Tilt 5/8"**

**POPULAR**

Channel Width 9/16"

Channel Depth 5/8"

\* Must specify end attached to spring.

**62A Series Tilt Ribbed Balances**

1/2" 3/8"

• These balances are designed to fit into vinyl jamb liners

End view of channel shape of ribbed balances

**62FC Series**

Channel Width 9/16"

Channel Depth 17/32"

• Most commonly used in vinyl windows. However, several manufacturers use in aluminum windows

**Optional Clip**

3/16" 19/64" 41/64" 3/16"

## NON-TILT SIDE LOAD CHANNEL BALANCES

The following overview will help you to locate the channel balances you are looking for. There are three basic classifications:

**1. Non-Tilt Balances 2. Tilt Balances 3. Overhead Balances**

We have designated each of these classifications and have made additional notes to help you determine your specific requirements. For more information, see the detailed chart page for each individual series.

**60 Series Non-Tilt 5/8"**

**MOST POPULAR**

Channel Width 9/16"

Channel Depth 5/8"

- Used in aluminum windows since 1960s.
- Must always have a top and bottom guide attached.
- Many guide variations available.

**61 Series Non-Tilt**

Channel Width 5/8"

Channel Depth 19/32"

Tension Adjustment Screw

- This is a variation of the original 60-Series. It has a hemmed edge and in most cases has an adjustment screw.
- In most cases can use 60-Series.

**64-Series Non-Tilt 3/8"**

**POPULAR**

Channel Width 13/32"

Channel Depth 3/8"

- This is a 3/8" version of our 60-Series.
- Used primarily in Southeast.
- Binings & Moss were 2 largest users.
- Must always have a top and bottom guide attached.

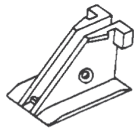
If you do not see the part you need, please send a sample or call our customer service department.

# TILT BALANCES

## 72 Series Non-Tilt

POPULAR

- Metal Tube
- Always has plastic end attached.
- Do not confuse with 85 tilt series.



72-500



9/16"

## 74 Series Non-Tilt

POPULAR

- Metal Tube
- Always has plastic end attached.



74-501



3/8"

## 75 Series Non-Tilt

POPULAR

- Metal Tube
- Always has metal guide attached.

**Note:** The difference between our "74" and "75" series balances is in the hole center distance in the spiral rod.



3/8"

## 85 Series Tilt 5/8"

POPULAR

- Most popular spiral tilt in the industry
- Used in aluminum and vinyl windows
- Has 2 pins at end of rod
- Metal Tube

Now Available in White!



9/16"

## 85P Series Tilt 5/8"

- Similar to 85 Series but covered with plastic tube
- White, Black or Gray Cover



9/16"

## 83 Series Tilt 3/8"

POPULAR

- Used primarily in lighter windows in Southeast and Southwest.
- Metal Tube

Now Available in White and Black!



3/8"

## 83P Series Tilt 3/8"

- Similar to 83 Series but covered with plastic tube
- White, Black or Gray Cover



3/8"

If you do not see the part you need, please send a sample or call our customer service department.