

# TABBED PAGE

<b>Index</b>	<b>Page</b>
Crossbar .....	2
Frame .....	2, 3
Patio Screen Doors .....	4

# SCREENS



Date \_\_\_\_\_ Customer P.O. \_\_\_\_\_

Name \_\_\_\_\_

Address \_\_\_\_\_

City, State, Zip \_\_\_\_\_

Phone # \_\_\_\_\_

Location: Bldg. # \_\_\_\_\_ Apt. # \_\_\_\_\_

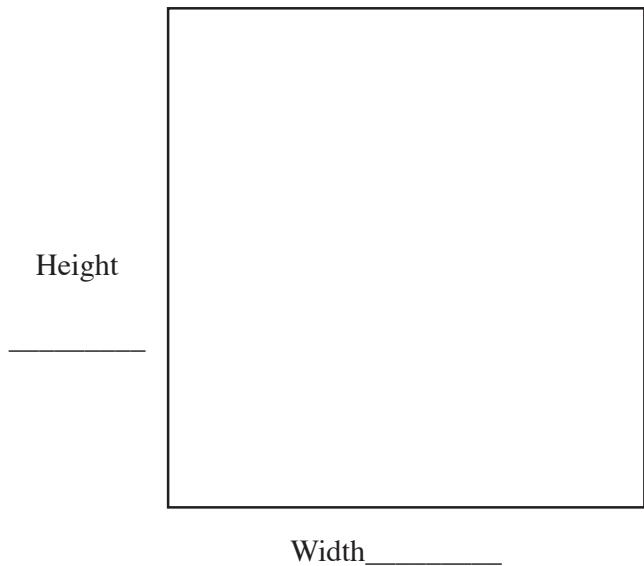
Contact Person \_\_\_\_\_

Installed

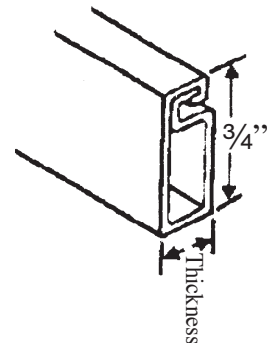
Delivered

Will Call

Quantity \_\_\_\_\_



Empire Standard  
Frame Profile



Other extrusions will  
require a sample

Window Screen / Patio screen door (circle one)

Frame Size (thickness) 1/4" - 5/16" - 3/8" - 7/16" (circle one)

Color: White - Bronze - Mill - Tan (circle one)

Screen Mesh Color: Charcoal - Gray (circle one)

Screen Mesh Type: Wire - Fiberglass (circle one)



### OPTIONS:

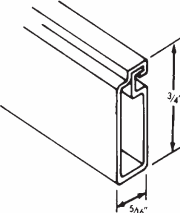

circle options and  
indicate exact locations

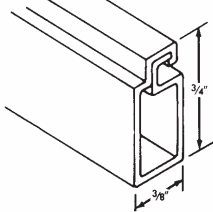

- Tabs 
- Pull Plungers 
- Knife Latches 
- Springs 
- Wing Clips 
- Center Mull

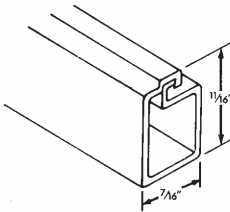

**TO ORDER: FAX THIS PAGE TO: 612-729-4216**

# SCREEN FRAMES

Part #	Size	
WSF344	1/4" x 3/4" x 8' or 4'6"	
Available Colors		
Bronze, Mill, White		 <div style="border: 1px solid black; padding: 2px; width: fit-content; margin: 0 auto;">WSC 104 External Corner</div>

Part #	Size	
V-11	5/16" x 3/4" x 12'6"	
Available Colors		
Bronze, Desert Sand, Mill, White		 <div style="border: 1px solid black; padding: 2px; width: fit-content; margin: 0 auto;">20000 External Corner</div>

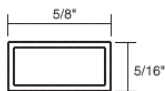
Part #	Size	
V-88	3/8 x 3/4" x 12'6"	
Available Colors		
Bronze, Desert Sand, Mill, White		 <div style="border: 1px solid black; padding: 2px; width: fit-content; margin: 0 auto;">20000 External Corner</div>

Part #	Size	
V-15	7/16" x 11/16" x 12'6"	
Available Colors		
Bronze, Desert Sand, Mill, White		 <div style="border: 1px solid black; padding: 2px; width: fit-content; margin: 0 auto;">20000 External Corner</div>

## 5/8" x 5/16" Roll Formed Aluminum Spreader

Part #  
WSSB58

- Prevents Screen Frame From Bowing In
- Easy To Install
- Available in Bronze, Mill, White

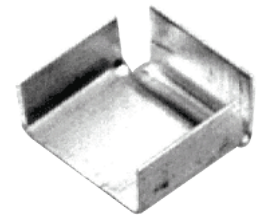


5/8" x 5/16" Roll Formed Aluminum Spreader Bar is made of .025 mil (.64 millimeter) thickness roll formed aluminum. Adds rigidity and strength to large size screens. Almost always installed across the mid-point of the screen's longest side. Installs with our Catalog Number WSC112 Spreader Bar Clips.

## Roll Formed Aluminum Spreader Bar Clips

- For Attaching Spreader Bar to Screen Frame

Part #  
WSC112



Spreader Bar Clips are .020 mill thick stamped aluminum. These special clips are used to install the spreader bar across the midpoint of the screen's longest side.

Custom Screens Available. See page 1 for measuring guide.

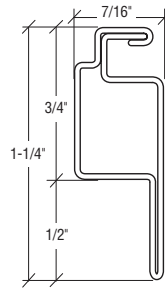
For additional hardware click here <http://www.windowanddoorhardware.com>

# SCREEN FRAMES

## 1/2" Roll Formed Aluminum Lip Screen Frame



WSC111  
Mitered Corners

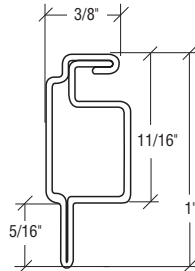


Part #	Finish	Stock Length
WSFLIGRY	Gray	8' or 4' 2"
WSFLIPBRZ	Bronze	8' or 4' 2"
WSFLIPW	White	8' or 4' 2"

## 7/16" Roll Formed Aluminum Lip Screen Frame



WSC115  
Mitered Corners



Part #	Finish	Stock Length
WSFL5BRZ	Bronze	8' or 4' 2"
WSFL5W	White	8' or 4' 2"